

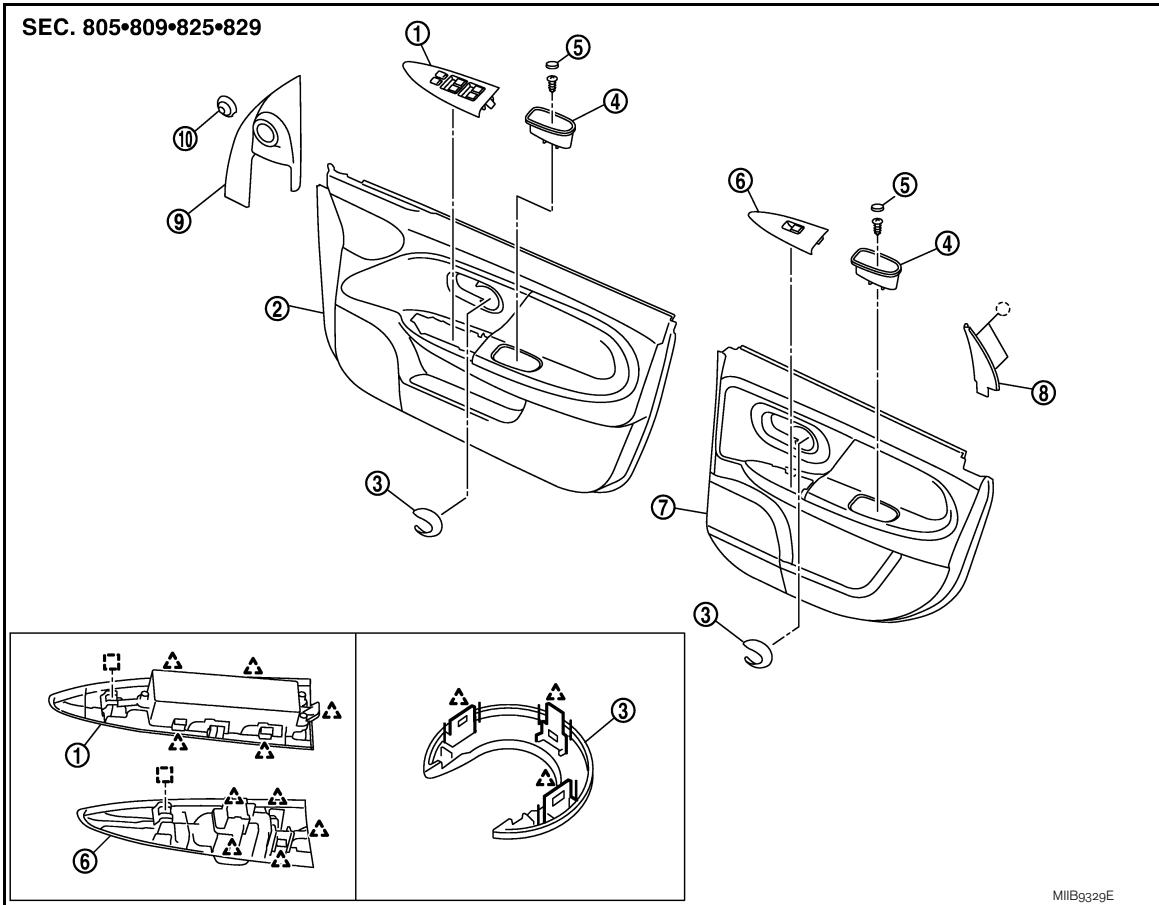
DOOR FINISHER

< SERVICE INFORMATION >

DOOR FINISHER

Removal and Installation

INFOID:000000003462765



- | | | |
|--|---------------------------|---|
| 1. Power door switch finisher (front door) | 2. Front door finisher | 3. Inside handle escutcheon |
| 4. Pull handle | 5. Pull handle cap | 6. Power door switch finisher (rear door) |
| 7. Rear door finisher | 8. Rear door corner cover | 9. Front door corner cover* |
| 10. Dust cover* | | |

*: Refer to GW section

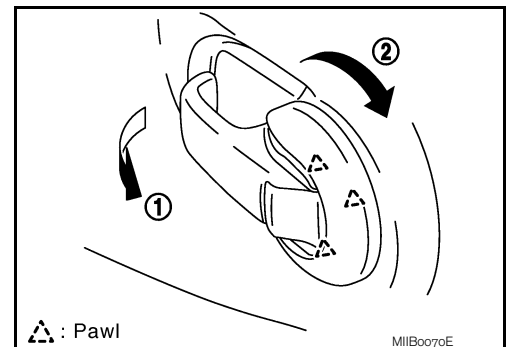
△ : Pawl

○ : molded clip

□ : Metal clip

REMOVAL

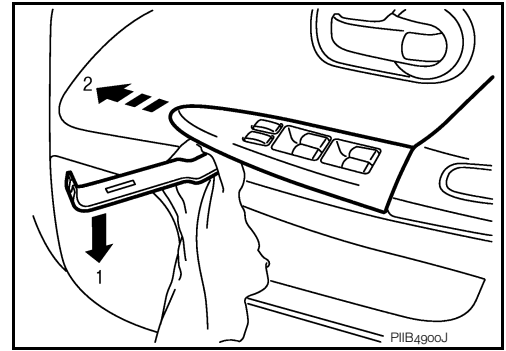
1. Fully open door glass.
2. Pull up inside handle lever, and then spread inside handle escutcheon top and bottom to release top and bottom hooks.
3. Slide inside handle escutcheon backwards, disengage bottom, and remove from door finisher.



DOOR FINISHER

< SERVICE INFORMATION >

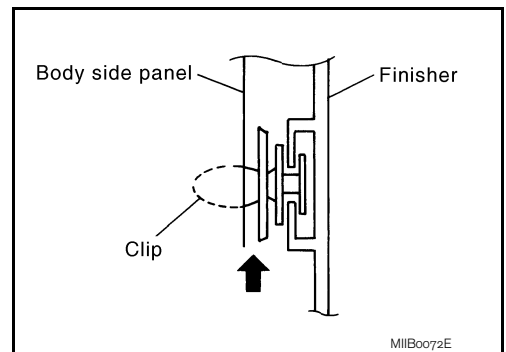
4. Insert a clip remover wrapped with tape into back of power window switch finisher, hold up the back end, and disengage metal clips.
5. Hold up front side, remove inserted area, and remove. Pull back rear side, remove inserted area, and remove.
6. Separate the power window switch finisher back harness connector and remove it.



7. Remove door pull handle cap and screw.
8. Remove front door corner cover. Refer to [GW-133, "Removal and Installation"](#).
9. Insert clip driver or clip clamp remover into door finisher back clip and remove clip.

NOTE:

Insert a clip driver or clip clamp remover into the part shown by the arrow (between the body side panel and the clips). Remove finisher.



10. Pull door finisher upwards to remove it from door panel.

INSTALLATION

Note the following, and install in the reverse order of removal.

CAUTION:

When installing finisher, confirm clips are accurately aligned with the holes on body side panel, then press in.

A
B
C
D
E
F
G
H
EI
J
K
L
M
N
O
P