

AIR CONDITIONER FILTER

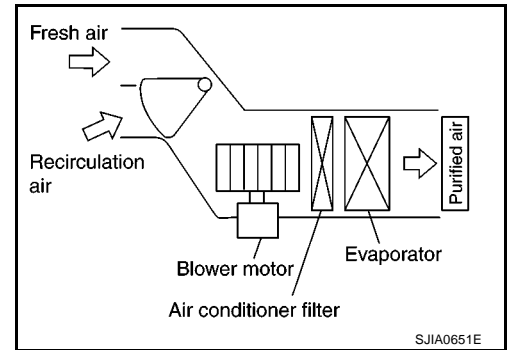
AIR CONDITIONER FILTER

PFP:27277

Removal and Installation FUNCTION

BJS000ED

Air inside passenger compartment is kept clean at either recirculation or fresh mode by installing air conditioner filter into A/C unit assembly.



REPLACEMENT TIMING

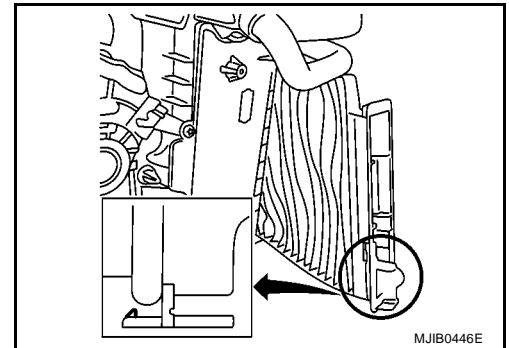
Replace air conditioner filter.

Refer to [MA-55, "CHASSIS AND BODY MAINTENANCE"](#) .

Caution label is fixed inside glove box.

REPLACEMENT PROCEDURES

1. Remove glove box assembly. Refer to [IP-4, "INSTRUMENT PANEL ASSEMBLY"](#) .
2. Compress air conditioner filter downward while sliding it to the right side of the vehicle.
3. Turn the bottom of air conditioner filter upward, and then remove it.
4. Replace with new one and reinstall on A/C unit assembly.
5. Reinstall glove box assembly.



A
B
C
D
E
F
G
H
I
K
L
M

MTC