

# REAR COMBINATION LAMP

< SERVICE INFORMATION >

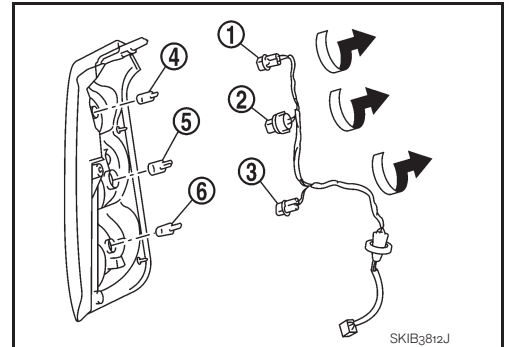
## REAR COMBINATION LAMP

### Bulb Replacement

INFOID:000000003463131

1. Remove rear combination lamp. Refer to [LT-129, "Removal and Installation"](#).
2. Turn bulb socket (1), (2), (3) counterclockwise and unlock it.
3. Remove bulb (4), (5), (6).

<b>Stop/tail lamp (5)</b>	<b>: 12V - 21/5W</b>
<b>Rear turn signal lamp (4)</b>	<b>: 12V - 16W (amber)</b>
<b>Back-up lamp (6)</b>	<b>: 12V - 16W</b>

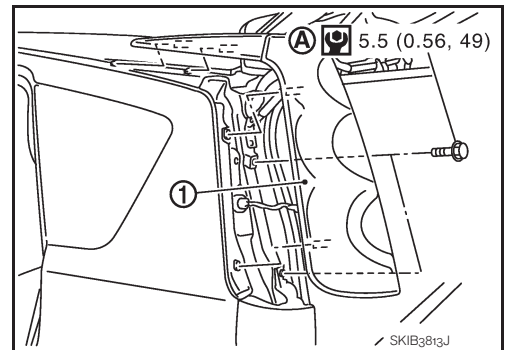


### Removal and Installation

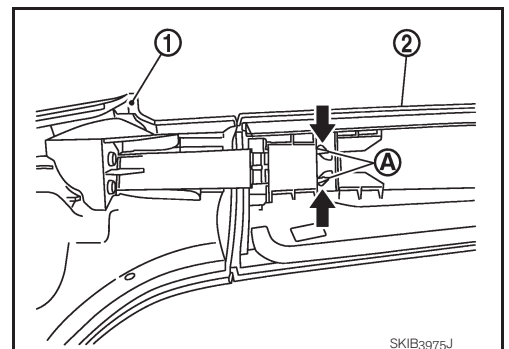
INFOID:000000003463132

#### REMOVAL

1. Remove rear pillar garnish. Refer to [EI-26](#).
2. Disconnect rear combination lamp connector.
3. Remove rear combination lamp mounting bolts (A).
4. Pull the rear combination lamp (1) toward rear of the vehicle and remove from the vehicle.



5. While pressing pawls (A) in direction as shown in the figure, remove the rear combination lamp finisher (2) from the rear combination lamp body (1).



#### INSTALLATION

Installation is the reverse order of removal.

**Rear combination lamp mounting nut**  **: 5.5 N·m (0.56 kg·m, 49 in·lb)**

A  
B  
C  
D  
E  
F  
G  
H  
I  
J  
LT  
L  
M  
N  
O  
P