

REAR FOG LAMP

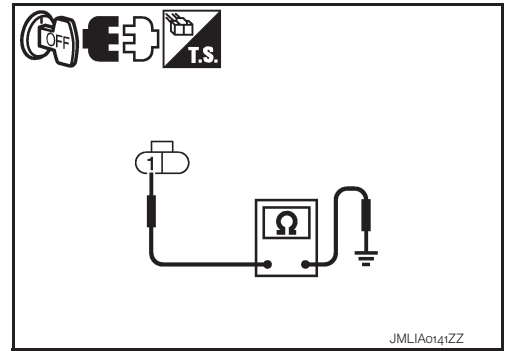
< SERVICE INFORMATION >

Check continuity between rear combination lamp RH (rear fog lamp) harness connector and ground.

connector	Terminal	Ground	Continuity
B44	1		Yes

OK or NG

- OK >> GO TO 6.
- NG >> Repair harness or connector.



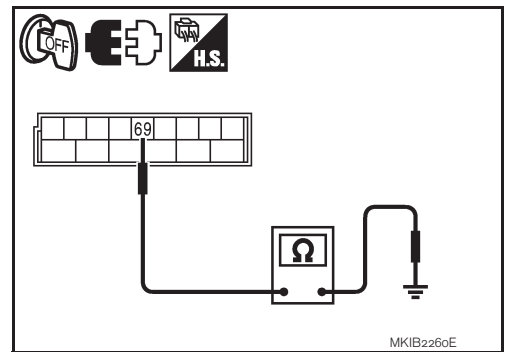
6. CHECK SHORT CIRCUIT

Check continuity between BCM harness connector and ground.

BCM connector	Terminal	Ground	Continuity
M59	69		No

OK or NG

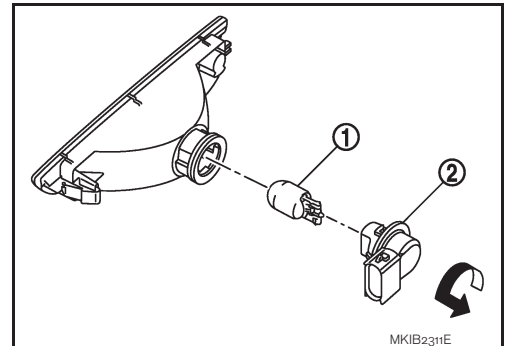
- OK >> Replace BCM. Refer to [BCS-12. "Removal and Installation of BCM"](#).
- NG >> After repairing harness be sure to disconnect battery negative cable, and then reconnect it.



Bulb Replacement

1. Remove rear bumper fascia. Refer to [EI-8](#).
2. Disconnect rear fog lamp connector.
3. Turn bulb socket (2) counterclockwise and unlock it.
4. Remove bulb (1) from its socket.

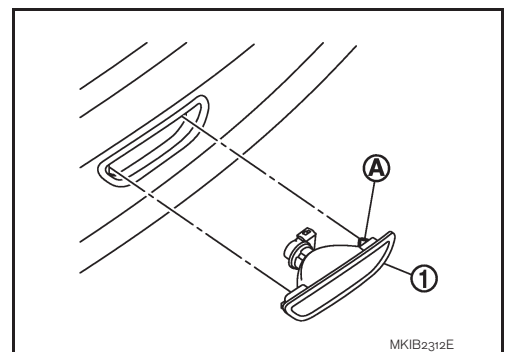
Rear fog lamp : 12V - 21W



Removal and Installation

REMOVAL

1. Remove rear bumper fascia. Refer to [EI-8](#).
2. Disconnect rear fog lamp connector.
3. While pressing metal clip (A) on the reverse side of the bumper fascia, remove rear fog lamp (1).



INSTALLATION

Installation is the reverse order of removal.

A
B
C
D
E
F
G
H
I
J
LT
L
M
N
O
P