

REAR BUMPER

< SERVICE INFORMATION >

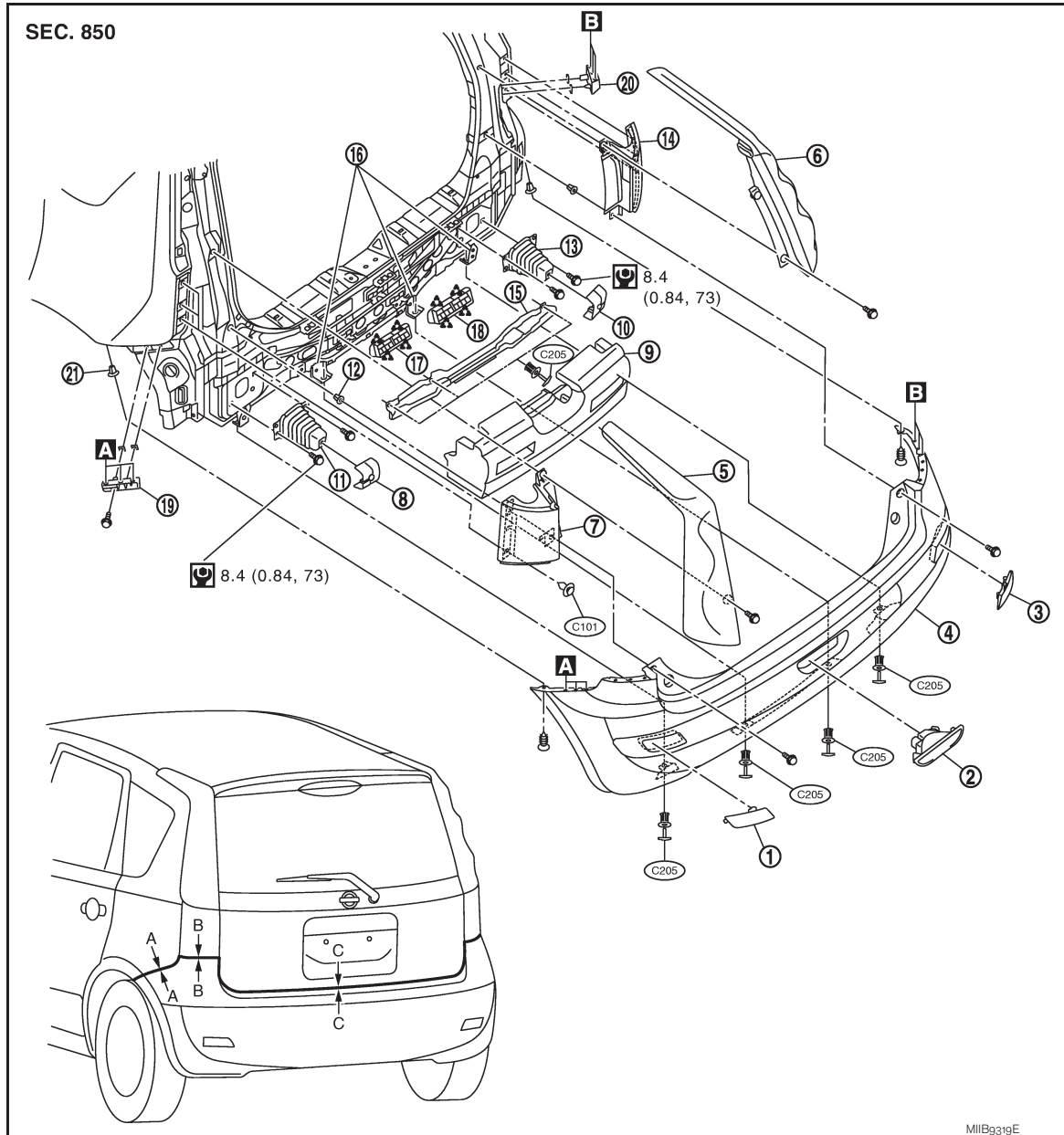
REAR BUMPER

Removal and Installation


INFOID:000000003462756

CAUTION:

Bumper fascia is made of plastic. Do not use excessive force and be sure to protect it from exposure to oil.



- | | | |
|--------------------------------|-------------------------------|----------------------------------|
| 1. Reflector LH | 2. Rear fog lamp | 3. Reflector RH |
| 4. Bumper fascia | 5. Rear combination lamp LH | 6. Rear combination lamp RH |
| 7. Rear fender cover LH | 8. Bumper fascia protector LH | 9. Bumper fascia energy absorber |
| 10. Bumper fascia protector RH | 11. Bumper fascia stay LH | 12. Grommet |
| 13. Bumper fascia stay RH | 14. Rear fender cover RH | 15. Rear panel (lower) |
| 16. Bumper fascia retainer | 17. Air extractor LH | 18. Air extractor RH |
| 19. Bumper fascia bracket LH | 20. Bumper fascia bracket RH | 21. Grommet |

 : Pawl

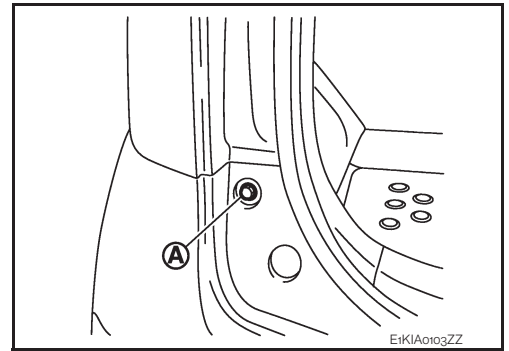
Refer to [GI-9, "Component"](#) for symbols in the figure.

REAR BUMPER

< SERVICE INFORMATION >

REMOVAL

1. Remove rear mudguards (if equipped). Refer to [EI-15. "Removal and Installation"](#).
2. Remove rear bumper lower clips.
3. Remove rear bumper mounting bolts upper (A).

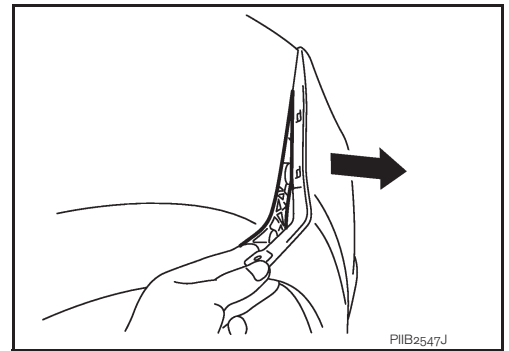


4. Remove rear bumper mounting bolts LH and RH from the rear fender.
5. Remove rear combination lamp. Refer to [LT-129. "Removal and Installation"](#).
6. Pull the rear bumper fascia to outside vehicle direction and disengage the fascia from the side of the vehicle.
7. Remove partially the bumper fascia to disconnect the rear fog lamp harness connector.

NOTE:

This operation requires two workers.

8. Remove the bumper fascia from the rear side of the vehicle.
9. Disengage clip securing the rear fender cover LH and RH to the rear fender.
10. Remove the rear fog lamp. Refer to [LT-83. "Removal and Installation"](#).



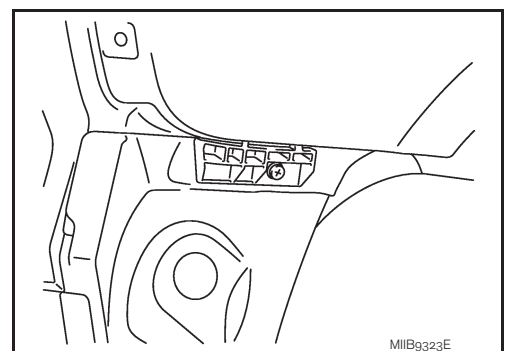
11. Remove the reflex reflector LH and RH.
12. Remove fascia bumper energy absorber.
13. Remove rear panel (lower), bumper fascia protector LH and RH, bumper fascia stay LH and RH, bumper fascia bracket LH and RH, air extractor LH and RH.

INSTALLATION

Install in the reverse order of removal.

NOTE:

Before installation check bumper fascia bracket LH and RH for break.



NOTE:

After installation, adjust the clearance.

	Portion	Clearance mm (in)
Rear fender - Rear bumper	A - A	0.0 + 1.0 (0.000 + 0.039)
Rear fender cover - Rear bumper	B - B	0.0 + 1.0 (0.000 + 0.039)
Back door - Rear bumper	C - C	6.0 ± 2.0 (0.236 ± 0.079)